

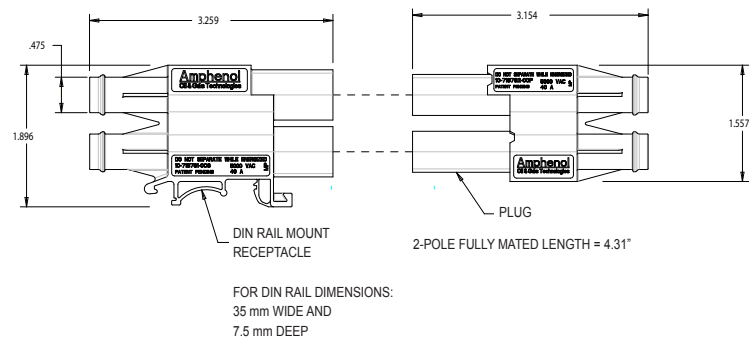
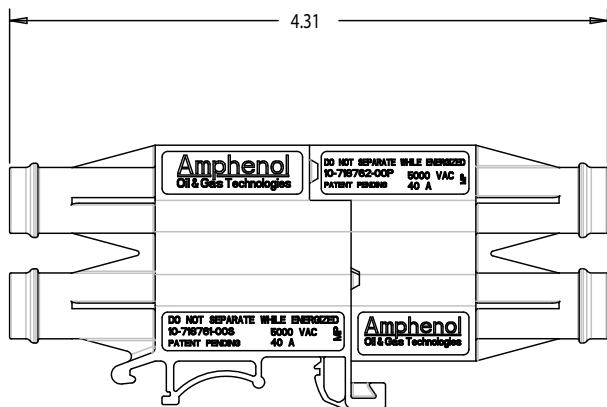
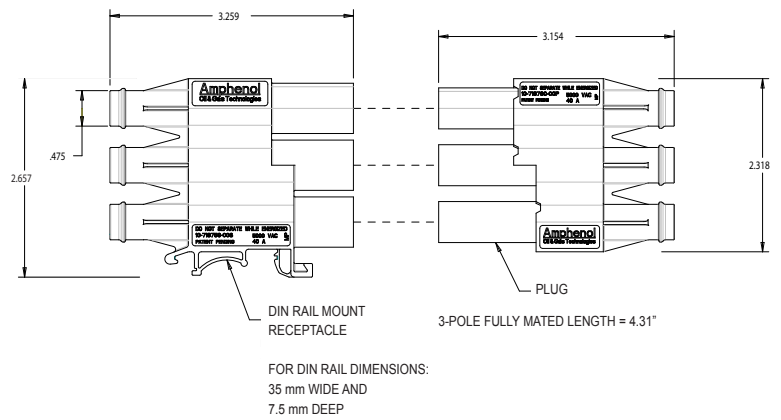
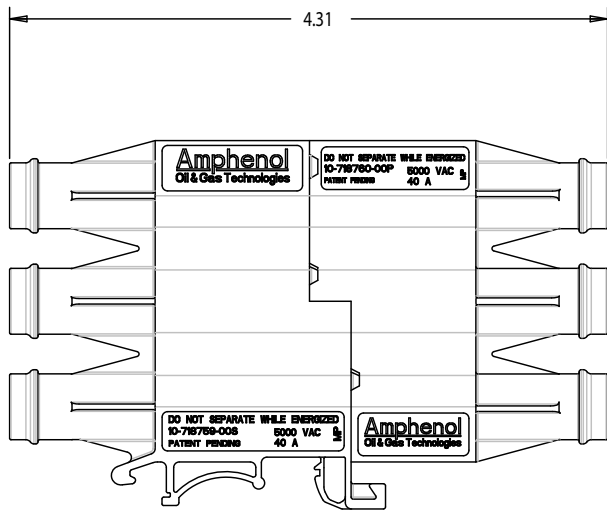
ZEUS HIGH-VOLTAGE ROV Connector Series Connectors for Underwater Pressure Compensated Systems

Amphenol Oil & Gas Technologies introduces their new High Voltage ROV Connector. The Zeus High-Voltage ROV Connector Series is designed to work in the harsh underwater environment of the Subsea Oil & Gas fields. Capable of handling 7.5kV, this robust design can incorporate multiple sizes of Amphenol's RADSOK® contacts. Made from Nylon, it's DIN-Rail mountable and secured together using a stainless steel screw.

Features:

- Operating voltage = 7.5kV
- Receptacle housing clips onto standard DIN-Rail
- Plug housing is mated to receptacle via vertical screw
- Housings accepts snap-in, replaceable contacts 4.0mm², 10.0mm², and 16.0mm²
- Creepage/Clearance in accordance with IEC60079-7 guidance
- High integrity electrical connections utilizing RADSOK® design contacts





Zeus 7.5kV		
	Part Number	Description
Housings	10-718759-00S	7.5kV Female Housing - 3 Pole with PEM
	10-718760-00P	7.5kV Male Housing - 3 Pole w/ screw
	10-718761-00S	7.5kV Female Housing - 2 Pole with PEM
	10-718762-00P	7.5kV Male Housing - 2 Pole w/ screw
Pin Cont.	10-718773-000	Pin and clip 12 AWG - Color Code: GREEN
	10-718774-000	Pin and clip 8 AWG - Color Code: RED
	10-718775-000	Pin and clip 6 AWG - Color Code: BLUE
Sock. Cont.	10-718782-000	Socket, Radsock, clip 12 AWG - Color Code: GREEN
	10-718783-000	Socket, Radsock, clip 8 AWG - Color Code: RED
	10-718784-000	Socket, Radsock, clip 6 AWG - Color Code: BLUE

Connector Design

- Operating voltage = 7.5kV
- Receptacle housing clips onto standard DIN-Rail
- Plug housing is mated to receptacle via vertical screw
- Housings accept snap-in replaceable contacts 4.0mm², 10.0mm², and 16.0mm²
- Horizontally stackable. Adds support.
- Creepage/Clearance in accordance with IEC60079-7 guidance

Markets:

- Underwater Remotely Operated Vehicles
- AUV's
- Subsea Oil & Gas Production
- Oceanography
- Underwater Mining Equipment



Notice: Specifications are subject to change without notice. Contact your nearest Amphenol Corporation Sales Office for the latest specifications. All statements, information and data given herein are believed to be accurate and reliable but are presented without guarantee, warranty, or responsibility of any kind, expressed or implied. Statements of suggestions concerning possible use of our products are made without representation or warranty that any such use is free of patent infringement and are not recommendations to infringe any patent. The user should assume that all safety measures are indicated or that other measures may not be required. Specifications are typical and may not apply to all connectors.

For further information on your individual application requirements, contact: Amphenol Corporation

North America:
Amphenol Industrial Operations
180 N. Freepoint Drive, Plant 4
Nogales, AZ 85621
Tel: (888) 364-9011
Fax: (520) 285-5134

Europe:
Amphenol Industrial Operations Europe
Via Barbaiana 5
1-20020 Lainate (MI) Italy
Tel: +39 02 93254.204
Fax: +39 02 93254.444

Middle East:
Amphenol Middle East Enterprises FZE
Office C-37 PO Box 21107
Ajman Free Zone, UAE
Tel: +9 716-7422494
Fax: +9 716-7422941

Asia:
Amphenol Technology (Zhuhai) Co., Ltd.
No. 63 Xin Han Road, San Zao Town
Jin Wan District, Zhuhai City, China 519040
Tel: +86 756-3989760
Fax: +86 756-3989768

Email: tech@amphenol-aio.com

Email: info@amphenol-aio.com

Email: jhussain@amphenol-industrial.com

Email: enquiry@amphenol-aio.com