

## NON-INSULATED FLAG TERMINALS



STUD SIZE	WIRE SIZE										
	22-16	16-14	12-10	8	6	4	2	1/0	2/0	3/0	4/0
8	AFG4	BFG4	-	-	-	-	-	-	-	-	-
10	AFG5	BFG5	DFG5	FG85	FG65/J	-	-	-	-	-	-
1/4"	-	BFG6	DFG6	FG86	FG66	FG46	FG26	FG1/06	-	-	-
5/16"	-	-	-	FG88	FG68	FG48	FG28	FG1/08	FG2/08	FG3/08	FG4/08
3/8"	-	-	-	FG89	FG69	FG49	FG29	FG1/09	FG2/09	FG3/09	FG4/09
1/2"	-	-	-	-	-	-	-	-	FG2/013	FG3/013	FG4/013
3/4"	-	-	-	4/019R1	-	-	-	-	-	-	-

## 26-22 AWG SPADE TERMINALS



STUD SIZE	NON-INSULATED	VINYL	VINYL W/ SUPPORT SLEEVE	NYLON W/ SUPPORT SLEEVE	NYLON	HIGH TEMP 650°F	HIGH TEMP 900°F	HEAT SHRINK
4	E3A	-	-	-	-	-	-	-
6	E3.7A	-	-	-	EFND3.7A/J	-	-	-
8	E4A	-	-	-	EFND4A/J	-	-	-

## 22-16 AWG SPADE TERMINALS



STUD SIZE	NON-INSULATED	VINYL	VINYL W/ SUPPORT SLEEVE	NYLON W/ SUPPORT SLEEVE	NYLON	HIGH TEMP 650°F	HIGH TEMP 900°F	HEAT SHRINK
4	AM3A	AFVLM3AR2	AFVDM3A	AFNDM3A	-	-	-	-
6	AS3A	AFVLS3AR2	AFVDS3A	AFNDS3A	-	-	-	AHS3A
8	AS4A	AFVLS4AR2	AFVDS4A	AFNDS4A	-	-	-	AHS4A
10	AM5A	AFVLM5AR2	AFVDM5A	AFNDM5A	-	-	-	AHS5A
1/4"	A6A	AFVL6AR2	AFVD6A	AFND6A	-	-	-	-

## 16-14 AWG SPADE TERMINALS



STUD SIZE	NON-INSULATED	VINYL	VINYL W/ SUPPORT SLEEVE	NYLON W/ SUPPORT SLEEVE	NYLON	HIGH TEMP 650°F	HIGH TEMP 900°F	HEAT SHRINK
8	B4A	BFVL4AR2	BFVD4A	BFND4A	-	-	-	BHS4A
10	B5A	BFVL5AR2	BFVD5A	BFND5A	-	-	-	BHS5A
1/4"	B6A	BFVL6AR2	BFVD6A	BFND6A	-	-	-	-

# TERMINALS

TOR (TAPE ON REEL) AVAILABLE

## 12-10 AWG SPADE TERMINALS

STUD SIZE	NON-INSULATED	VINYL	VINYL W/ SUPPORT SLEEVE	NYLON W/ SUPPORT SLEEVE	NYLON	HIGH TEMP 650°F	HIGH TEMP 900°F	HEAT SHRINK
6	DS3A	DFVLS3AR2	DFVDS3A	DFNDS3A	-	-	-	-
8	-	DFVLS4AR2	-	DFNDS4A	-	-	-	DHS4A
10	D5A	DFVL5AR2	DFVD5A	DFND5A	-	-	-	DHS5A
1/4"	D6A	DFVL6AR2	DFVD6A	DFND6A	-	-	-	DHS6A

## 22-16 AWG FLANGED SPADE TERMINALS

STUD SIZE	NON-INSULATED	VINYL	VINYL W/ SUPPORT SLEEVE	NYLON W/ SUPPORT SLEEVE	NYLON	HIGH TEMP 650°F	HIGH TEMP 900°F	HEAT SHRINK
6	AS3B	AFVLS3BR2	AFVDS3B	AFNDS3B	-	-	-	-
8	AS4B	AFVLS4BR2	AFVDS4B	AFNDS4B	-	-	-	-
10	AS5B	-	AFVDS5B	AFNDS5B	-	-	-	-

## 16-14 AWG FLANGED SPADE TERMINALS

STUD SIZE	NON-INSULATED	VINYL	VINYL W/ SUPPORT SLEEVE	NYLON W/ SUPPORT SLEEVE	NYLON	HIGH TEMP 650°F	HIGH TEMP 900°F	HEAT SHRINK
6	-	BFVLS3BR2	BFVDS3B	BFNDS3B	-	-	-	-
8	BS4B	BFVLS4BR2	BFVDS4B	BFNDS4B	-	-	-	-
10	BS5B	BFVLS5BR2	BFVDS5B	BFNDS5B	-	-	-	-

## 12-10 AWG FLANGED SPADE TERMINALS

STUD SIZE	NON-INSULATED	VINYL	VINYL W/ SUPPORT SLEEVE	NYLON W/ SUPPORT SLEEVE	NYLON	HIGH TEMP 650°F	HIGH TEMP 900°F	HEAT SHRINK
6	DS3B	DFVLS3BR2	DFVDS3B	DFNDS3B	-	-	-	-
8	DS4B	-	DFVDS4B	DFNDS4B	-	-	-	-
10	-	-	DFVDS5B	DFNDS5B	-	-	-	-

## 22-16 AWG LOCKING SPADE TERMINALS

STUD SIZE	NON-INSULATED	VINYL	VINYL W/ SUPPORT SLEEVE	NYLON W/ SUPPORT SLEEVE	NYLON	HIGH TEMP 650°F	HIGH TEMP 900°F	HEAT SHRINK
6	AWS3LST	AFVL3LSR2	AFVD3LST	AFND3LSR2	-	-	-	-
8	AWS4LST	AFVL4LSR2	AFVD4LST	AFND4LSR2	-	-	-	-
10	AWS5LST	AFVL5LSR2	AFVD5LST	AFND5LSR2	-	-	-	-

## 16-14 AWG LOCKING SPADE TERMINALS



STUD SIZE	NON-INSULATED	VINYL	VINYL W/ SUPPORT SLEEVE	NYLON W/ SUPPORT SLEEVE	NYLON	HIGH TEMP 650°F	HIGH TEMP 900°F	HEAT SHRINK
6	BWS3LST	BFVL3LSR2	BFVD3LST	BFND3LSR2	-	-	-	-
8	-	BFVL4LSR2	BFVD4LST	BFND4LSR2	-	-	-	-
10	BWS5LST	BFVL5LSR2	BFVD5LST	BFND5LSR2	-	-	-	-

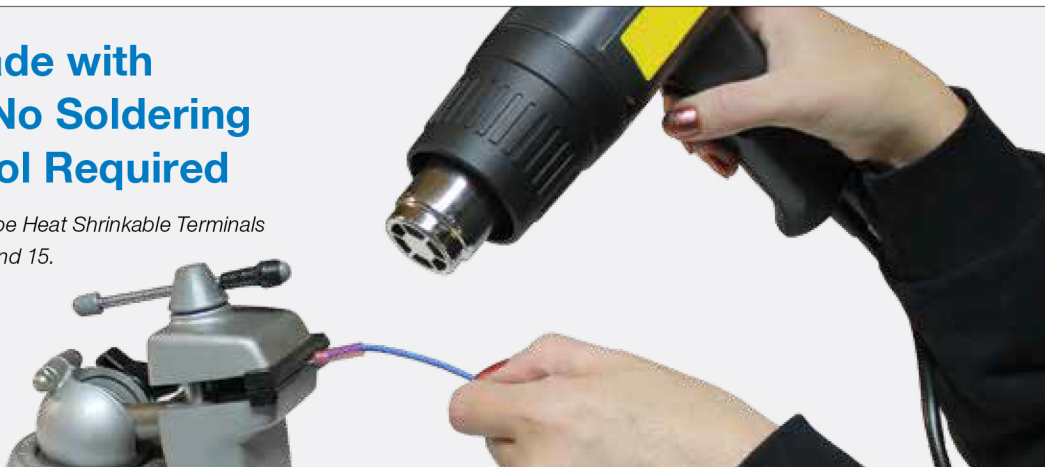
## 12-10 AWG LOCKING SPADE TERMINALS



STUD SIZE	NON-INSULATED	VINYL	VINYL W/ SUPPORT SLEEVE	NYLON W/ SUPPORT SLEEVE	NYLON	HIGH TEMP 650°F	HIGH TEMP 900°F	HEAT SHRINK
6	DWS3LST	DFVL3LSR2	DFVD3LST	DFND3LSR2	-	-	-	-
8	DWS4LST	DFVL4LSR2	DFVD4LST	DFND4LSR2	-	-	-	-
10	DWS5LST	DFVL5LSR2	DFVD5LST	DFND5LSR2	-	-	-	-

### Connection Made with a Heat Gun – No Soldering or Crimping Tool Required

*For more details on Soldering Type Heat Shrinkable Terminals and Connectors, see page 7, 8 and 15.*



Soldering Type Heat Shrinkable Terminals provide maximum pull out strength; maximum conductivity; a water tight seal; low temperature pre-fluxed solder ring and a crimp free design.

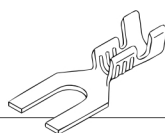
## SOLDERING TYPE HEAT SHRINKABLE SPADE TERMINALS



		PART NO.	GAUGE	COLOR	DESCRIPTION
	•	HELA220-02	22-24 AWG	CLEAR	#2 Stud
	•	HELA220-04	22-24 AWG	CLEAR	#4 Stud
	•	HELA220-06	22-24 AWG	CLEAR	#6 Stud
•	•	HELA216-10	18-20 AWG	RED	#10 Stud
•	•	HELA214-10	14-16 AWG	BLUE	#10 Stud
•	•	HELA210-10	10-12 AWG	YELLOW	#10 Stud

# TERMINALS

## SPADE TERMINALS — METAL STRIP MOUNTED

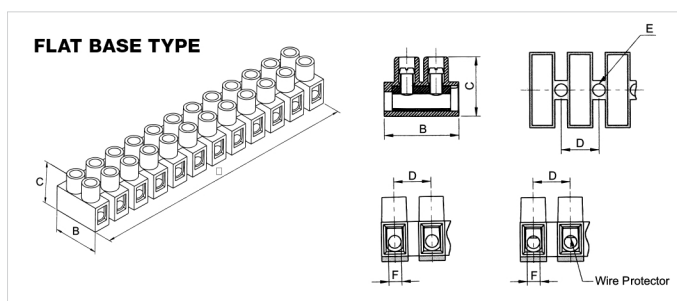


WIRE SIZE	STUD SIZE	CRIMP TYPE	PART NO.
20-16	6	DOUBLE	22163AST
20-16	8	DOUBLE	22164AST

## TERMINAL BLOCKS



Hoffman Products' Safe Wire Terminal Blocks are a high quality, cost saving method for wire termination. The "Safe Wire" feature is designed with a stainless steel plate that closes over the wire to eliminate breakage of the wire strands and creates a safe, secure connection. They are made from 6/6 nylon, making them durable, flame retardant and heat resistant. The blocks can be cut to specific requirements, saving time and money. Available in flat base, high base and high foot base construction.



PART NO.	CONSTRUCTION	WIRE RANGE	# OF POSITIONS	SCREW (ZINC PLATED)	DIMENSIONS (IN)					
					A	B	C	D	E	F
HB1820ABWP/12	FLAT BASE	22-12	12	M2.6 X 5	3.77	0.64	0.52	0.32	0.11	0.11
HB141810WP/12	FLAT BASE	22-12	12	M3 X 6	4.63	0.8	0.62	0.39	0.14	0.13
HB121012WP/12	FLAT BASE	22-10	12	M3.5 X 7	5.4	0.64	0.75	0.47	0.15	0.15
HB813.5WP/12	FLAT BASE	22-8	12	M4 X P	6.22	1.01	0.99	0.53	0.17	0.19

## HOUSING FOR 110 TAB



PART NO.	DESCRIPTION	USE WITH
F4110	4 Position Female Housing	MI2216T110MS
F6110	6 Position Female Housing	MI2216T110MS
F9110	9 Position Female Housing	MI2216T110MS
M4110	4 Position Male Housing	FI2216T110MS
M9110	9 Position Male Housing	FI2216T110MS
F4110LK	4 Position Locking Female Housing	MI2216T110MS
F9110LK	9 Position Locking Female Housing	MI2216T110MS
M3110LK	3 Position Locking Male Housing	FI2216T110MS
M4110LK	4 Position Locking Male Housing	FI2216T110MS
M6110LK	6 Position Locking Male Housing	FI2216T110MS
M9110LK	9 Position Locking Male Housing	FI2216T110MS

## HOUSING FOR 250 TAB



PART NO.	DESCRIPTION	USE WITH
F4250	4 Position Female Housing	MI2216T250MS
F6250	6 Position Female Housing	MI2216T250MS
F8250	8 Position Female Housing	MI2216T250MS
M4250	4 Position Male Housing	FI2216T250MS
M6250	6 Position Male Housing	FI2216T250MS
M8250	8 Position Male Housing	FI2216T250MS
F4250LK	4 Position Locking Female Housing	MI2216T250MS
F6250LK	6 Position Locking Female Housing	MI2216T250MS
F8250LK	8 Position Locking Female Housing	MI2216T250MS
M4250LK	4 Position Locking Male Housing	FI2216T250MS
M6250LK	6 Position Locking Male Housing	FI2216T250MS
M8250LK	8 Position Locking Male Housing	FI2216T250MS



Electrical Components

# Hoff-Trex® Flag Terminals

Hoff-Trex® Flag Terminals are designed with right angles to fit connections into tight spaces. These terminals slide together and pull apart with ease, so they are convenient for applications that require frequent connections.



**Ratings**



**Engineered to Resist**



**Features & Benefits**

**Single Crimp**

Added tensile strength and strain relief against wire pull-out

**Available in Sizes from 22 AWG to 4/0**

Perfect for small and large gauge requirements.

**Butted and Brazed Seam Configurations Available**

Ensure maximum strength of wire terminations.

**Offered in Loose Piece Bulk and Metal Strip**

Suit the Demands of Various Operations.

**Ordering Information**

For complete product ordering information, please scan the QR Code or contact your TPC sales representative

**Non Insulated Flag Terminals - Wire Size**

Stud Size	22-16	16-14	12-10	8	6	4	2	1/0	2/0	3/0	4/0
8	AFG4	BFG4	-	-	-	-	-	-	-	-	-
10	AFG5	BFG5	DFG5	FG85	FG65/J	-	-	-	-	-	-
1/4"	-	BFG6	DFG6	FG86	FG66	FG46	FG26	FG1/06	-	-	-
5/16"	-	-	-	FG88	FG68	FG48	FG28	FG1/08	FG2/08	FG3/08	FG4/08
3/8"	-	-	-	FG89	FG69	FG49	FG29	FG1/09	FG2/09	FG3/09	FG4/09
1/2"	-	-	-	-	-	-	-	-	FG2/013	FG3/013	FG4/013
3/4"	-	-	-	-	-	-	-	-	-	-	-



# TERMINALS

High quality solderless terminals provide solid wire crimps that meld both stranded wire or solid wire with the barrel of the terminal into one strong electrical connection. Terminals are available with or without tin plating used for corrosion resistance. Insulation is available in vinyl and nylon with or without an extra support sleeve (for double crimp). The ring and spade terminals are made from 100% electrolytic copper and are tin plated. **All terminals are UL and RoHS Compliant.**

## 26-22 AWG RING TERMINALS



STUD SIZE	NON-INSULATED	VINYL	VINYL W/ SUPPORT SLEEVE	NYLON W/ SUPPORT SLEEVE	NYLON	HIGH TEMP 650°F	HIGH TEMP 900°F	HEAT SHRINK
2	E2	-	-	EFND2/J	-	-	-	-
4	E3	-	-	EFND3.7	-	-	-	-
6	EM3	-	-	EFND3/J	-	-	-	-
8	E4	-	-	EFND4/J	-	-	-	-

## 22-16 AWG RING TERMINALS



STUD SIZE	NON-INSULATED	VINYL	VINYL W/ SUPPORT SLEEVE	NYLON W/ SUPPORT SLEEVE	NYLON	HIGH TEMP 650°F	HIGH TEMP 900°F	HEAT SHRINK
2	AS2	-	-	-	-	-	-	-
4	AS3	AFVLS3R2	AFVDS3	AFNDS3	-	-	-	-
6	AM3	AFVLM3R2	AFVDM3	AFNDM3	-	AM3NPT	AWSM3HT	AHS3
8	HA4	AFVL4R2	AFVD4	AFND4	-	A4NPT	AWS4HT	AHS4
10	A5	AFVL5R2	AFVD5	AFND5	-	A5NPT	AWS5HT	AHS5
1/4"	A6	AFVL6R2	AFVD6	AFND6	-	-	AWS6HT	AHS6
5/16"	A8	AFVL8R2	AFVD8	AFND8	-	-	-	AHS8
3/8"	A9	AFVL9R2	AFVD9	AFND9	-	-	-	AHS9
1/2"	A13	-	-	-	-	-	-	-

## 16-14 AWG RING TERMINALS



STUD SIZE	NON-INSULATED	VINYL	VINYL W/ SUPPORT SLEEVE	NYLON W/ SUPPORT SLEEVE	NYLON	HIGH TEMP 650°F	HIGH TEMP 900°F	HEAT SHRINK
4	B3	BFVL3R2	BFVD3	BFND3	-	-	-	-
6	BM3	BFVLM3R2	BFVDM3	BFNDM3	-	BM3NPT	BWSM3HT	BHS3
8	B4	BFVL4R2	BFVD4	BFND4	-	BM4NPT	BWS4HT	BHS4
10	B5	BFVL5R2	BFVD5	BFND5	-	BM5NPT/J	BWS5HT	BHS5
1/4"	B6	BFVL6R2	BFVD6	BFND6	-	-	BWS6HT	BHS6
5/16"	B8	BFVL8R2	BFVD8	BFND8	-	-	-	BHS8
3/8"	B9	BFVL9R2	BFVD9	BFND9	-	-	-	BHS9
1/2"	B13	BFVL13R2	BFVD13	BFND13	-	-	-	-

## 12-10 AWG RING TERMINALS



STUD SIZE	NON-INSULATED	VINYL	VINYL W/ SUPPORT SLEEVE	NYLON W/ SUPPORT SLEEVE	NYLON	HIGH TEMP 650°F	HIGH TEMP 900°F	HEAT SHRINK
6	DS3	DFVL3R2	DFVDS3	DFNDS3	-	-	-	-
8	D4	DFVL4R2	DFVD4	DFND4	-	D4NPT/J	DWS4HT	DHS4
10	D5	DFVL5R2	DFVD5	DFND5	-	D5NPT	DWS5HT	DHS5
1/4"	D6	DFVL6R2	DFVD6	DFND6	-	D6NPT	DWS6HT	DHS6
5/16"	D8	DFVL8R2	DFVD8	DFND8	-	-	-	DHS8
3/8"	D9	DFVL9R2	DFVD9	DFND9	-	-	-	DHS9
1/2"	D13	DFVL13R2	DFVD13	DFND13	-	-	-	-
9/16"	D14	-	-	-	-	-	-	-

## 8 AWG RING TERMINALS



STUD SIZE	NON-INSULATED	VINYL	VINYL W/ SUPPORT SLEEVE	NYLON W/ SUPPORT SLEEVE	NYLON	HIGH TEMP 650°F	HIGH TEMP 900°F	HEAT SHRINK
8	8S4R1	-	-	-	FN8S4	-	-	-
10	8S5R1	-	-	-	FN8S5	-	-	-
1/4"	8S6R1	-	-	-	FN8S6	-	-	-
5/16"	88R1	-	-	-	FN88	-	-	-
3/8"	89R1	-	-	-	FN89	-	-	-
1/2"	813R1	-	-	-	FN813	-	-	-

## 6 AWG RING TERMINALS



STUD SIZE	NON-INSULATED	VINYL	VINYL W/ SUPPORT SLEEVE	NYLON W/ SUPPORT SLEEVE	NYLON	HIGH TEMP 650°F	HIGH TEMP 900°F	HEAT SHRINK
10	65R1	-	-	-	FN65	-	-	-
1/4"	66R1	-	-	-	FN66	-	-	-
5/16"	68R1	-	-	-	FN68	-	-	-
3/8"	69R1	-	-	-	FN69	-	-	-
1/2"	613R1	-	-	-	FN613	-	-	-

# TERMINALS

TOR (TAPE ON REEL) AVAILABLE

## 4 AWG RING TERMINALS



STUD SIZE	NON-INSULATED	VINYL	VINYL W/ SUPPORT SLEEVE	NYLON W/ SUPPORT SLEEVE	NYLON	HIGH TEMP 650°F	HIGH TEMP 900°F	HEAT SHRINK
10	4S5R1	-	-	-	FN4S5	-	-	-
1/4"	46R1	-	-	-	FN46	-	-	-
5/16"	48R1	-	-	-	FN48	-	-	-
3/8"	4S9R1	-	-	-	FN49	-	-	-
1/2"	413R1	-	-	-	FN413	-	-	-

## 2 AWG RING TERMINALS



STUD SIZE	NON-INSULATED	VINYL	VINYL W/ SUPPORT SLEEVE	NYLON W/ SUPPORT SLEEVE	NYLON	HIGH TEMP 650°F	HIGH TEMP 900°F	HEAT SHRINK
10	2S5R1	-	-	-	FN2S5	-	-	-
1/4"	2S6R1	-	-	-	FN2S6	-	-	-
5/16"	2S8R1	-	-	-	FN2S8	-	-	-
3/8"	29R1	-	-	-	FN29	-	-	-
7/16"	211R1	-	-	-	-	-	-	-
1/2"	213R1	-	-	-	FN213	-	-	-

## LARGE NON-INSULATED RING TERMINALS



STUD SIZE	WIRE SIZE							
	1/0 AWG	2/0 AWG	3/0 AWG	4/0 AWG	250/300 MCM	300/350 MCM	400/500 MCM	500/600 MCM
1/4"	1/06R1	2/06R1	3/06R1	4/06R1	-	-	-	-
5/16"	1/08R1	2/08R1	3/08R1	4/08R1	1508R1	-	-	-
3/8"	1/09R1	2/09R1	3/09R1	4/09R1	1509R1	2009R1	2509R1	3009R1
7/16"	1/011R1	2/011R1	3/011R1	-	15011R1	-	-	-
1/2"	1/013R1	2/013R1	3/013R1	4/013R1	15013R1	20013R1	25013R1	30013R1
5/8"	1/016R1	2/016R1	3/016R1	4/016R1	15016R1	20016R1	25016R1	30016R1
3/4"	-	-	-	4/019R1	-	20019R1	-	-

# TERMINALS

## SOLDERING TYPE HEAT SHRINKABLE RING TERMINALS



UL	SE	PART NO.	GAUGE	COLOR	DESCRIPTION
	•	HELA120-02	22-24 AWG	CLEAR	#2 Stud
	•	HELA120-04	22-24 AWG	CLEAR	#4 Stud
	•	HELA120-06	22-24 AWG	CLEAR	#6 Stud
•	•	HELA116-06	18-20 AWG	RED	#6 Stud
•	•	HELA116-08	18-20 AWG	RED	#8 Stud
•	•	HELA116-10	18-20 AWG	RED	#10 Stud
•	•	HELA116-14	18-20 AWG	RED	1/4" Stud
	•	HELA116-516	18-20 AWG	RED	5/16" Stud
	•	HELA116-38	18-20 AWG	RED	3/8" Stud
	•	HELA114-06	14-16 AWG	BLUE	#6 Stud
•	•	HELA114-08	14-16 AWG	BLUE	#8 Stud
•	•	HELA114-10	14-16 AWG	BLUE	#10 Stud
•	•	HELA114-14	14-16 AWG	BLUE	1/4" Stud
	•	HELA114-516	14-16 AWG	BLUE	5/16" Stud
•	•	HELA114-38	14-16 AWG	BLUE	3/8" Stud
•	•	HELA110-10	10-12 AWG	YELLOW	#10 Stud
•	•	HELA110-14	10-12 AWG	YELLOW	1/4" Stud
	•	HELA110-516	10-12 AWG	YELLOW	5/16" Stud
•	•	HELA110-38	10-12 AWG	YELLOW	3/8" Stud
•	•	HELA110-12	10-12 AWG	YELLOW	1/2" Stud

Our tubular lugs are available in non-plated, tin-plated and color-coded. They are UL certified for heavy-duty applications with trucks, buses, forklifts, automotive and industrial equipment. They have annealed terminals for easy crimping, along with seamless barrels for a secure accurate crimp. They are also made from high quality copper: 110 Cu ASTM B152.

## TUBULAR LUGS — TIN PLATED COPPER



STUD SIZE	WIRE SIZE								
	8	6	4	2	1	1/0	2/0	3/0	4/0
10	-	-	1590T76	-	-	-	-	-	-
1/4"	1701T76	1601T76	1591T76	1580T76	1560T76	1550T76	1540T76	1530T76	1520T76
5/16"	1702T76	1602T76	1592T76	1581T76	1561T76	1551T76	1541T76	1531T76	1521T76
3/8"	1703T76	1603T76	1593T76	1582T76	1562T76	1552T76	1542T76	1532T76	1522T76
1/2"	-	1604T76	1594T76	1583T76	1563T76	1553T76	1543T76	1533T76	1523T76

More options available: **Non-plated** (delete "T" from part number - i.e. "170176"); **With sight hole** (add "S" before "76" in part number - i.e. "1523TS76").



## TUBULAR LUGS — COLOR CODED TIN PLATED COPPER WITH SIGHT HOLE



STUD SIZE	WIRE SIZE								
	8	6	4	2	1	1/0	2/0	3/0	4/0
10	TLS8576	-	-	-	-	-	-	-	-
1/4"	TLS8676	TLS6676	TLS4676	TLS2676	TLS16	TLS1/0676	TLS2/0676	TLS3/06	-
5/16"	TLS88	TLS68	TLS4876	TLS2876	TLS1876	TLS1/0876	TLS2/08	TLS3/08	-
3/8"	TLS8976	TLS6976	TLS4976	TLS2976	TLS1976	TLS1/0976	TLS2/0976	TLS3/0976	TLS4/0976
1/2"	-	-	-	-	-	TLS1/01376	TLS2/013	TLS3/013	TLS4/01376

## RING TERMINALS — METAL STRIP MOUNTED



WIRE SIZE	STUD SIZE	CRIMP TYPE	PART NO.
22-16	5	SINGLE	2216M2ST
22-16	8	SINGLE	20144ST
22-16	5	DOUBLE	2216S2ST
22-16	6	DOUBLE	22163ST
22-16	6	DOUBLE	22162ST
22-16	6	DOUBLE	2016M3ST
22-16	8	DOUBLE	2216M4ST
22-16	8	DOUBLE	22164ST
22-16	10	DOUBLE	2216M5ST
22-16	10	DOUBLE	H22165ST
22-16	5/16"	DOUBLE	22168ST
22-16	3/8"	DOUBLE	2216S9ST

## SERRATED RING TERMINALS — METAL STRIP MOUNTED



WIRE SIZE	STUD SIZE	CRIMP TYPE	PART NO.
22-16	8	DOUBLE	2216M4SST
20-16	6	DOUBLE	2016M3SST
20-16	6	DOUBLE	20163SST
20-16	8	DOUBLE	20164SST
20-16	10	DOUBLE	20165SST
20-16	1/4"	DOUBLE	20166SST

## Terminals

## Hoff-Trex® Tubular Lug Terminals

Hoff-Trex® Tubular Lugs are perfect for industrial wire and cable connections. These are available in one and two-stud, non-plated, tin-plated and color-coded options, and made from high quality copper. The terminals are annealed making for easy crimping, along with seamless barrels for a secure and accurate crimp.



## Engineered to Resist

Tension

## Features &amp; Benefits

## Color-Coded Barrel

Makes for ease of identification.

## Sight Hole

For quality check on crimp.

## Available from 8 AWG through 600 MCM

Perfect for operations of all sizes.

## Made from high quality copper: 110 Cu ASTM B152

Great for heavy-duty applications.

## Annealed Terminals

Easier crimping.

## Seamless Barrels

Provides a secure and accurate crimp.

## Available in One and Two Stud Options

Suit the demands of various operations.



## Ordering Information

For complete product ordering information, please scan the QR Code or contact your TPC sales representative

## Tubular Lugs - Tin Plated Copper

## Wire Size

Stud Size	8	6	4	2	1	1/0	2/0	3/0	4/0
10	-	-	1590T	-	-	-	-	-	-
1/4"	1701TR2	1601T	1591T	1580T	-	1550T	1540TR2	1530TR2	-
5/16"	1702T76	1602T	1592T	1581T	-	1551TR2	1541TR2	1531T	1521TR2
3/8"	1703T76	1603T	1593T	1582TR2	1562T	1552T	1542T	1532T	1522T
1/2"	-	-	1594T	-	-	1553T	1543TR2	1533TR2	-

## Notes

More options available

Non-plated (delete "T" or "TR2" from part number - i.e. "170176")

With sight hole (add "S" before "76" in part number - i.e. "1523TS76")

## Tubular Lugs - Color Coded in Tin Plated Copper w/ Sight Hole

## Wire Size

Stud Size	8	6	4	2	1	1/0	2/0	3/0	4/0
10	TLS8576	-	-	-	-	-	-	-	-
1/4"	TLS8676	TLS6676	TLS4676	TLS2676	TLS16	TLS1/0676	TLS2/0676	TLS3/06	-
5/16"	TLS88	TLS68	TLS4876	TLS2876	TLS1876	TLS1/0876	TLS2/08	TLS3/08	-
3/8"	TLS8976	TLS6976	TLS4976	TLS2976	TLS1976	TLS1/0976	TLS2/0976	TLS3/0976	TLS4/0976
1/2"	-	-	-	-	-	TLS1/01376	TLS2/013	TLS3/013	TLS4/01376

Terminals

# Hoff-Trex® Ring Terminals

TPC Wire & Cable's Hoff-Trex® line of Ring Terminals are the ideal solution for making secure electrical connections. Ring Terminals are high quality, solderless, industrial ring terminals that provide solid wire crimps that meld both stranded wire or solid wire with the barrel of the terminal into one strong electrical connection. Ring Terminals are available in tinned copper, which is great for corrosion resistance. Insulation is available in vinyl and nylon with or without an extra support sleeve (for double crimp). Ring Terminals are made from 100% electrolytic copper and are tin plated.



**Ratings**

**Engineered to Resist** Tension High Temperature

**Features & Benefits**

<p><b>Available in Non-insulated as well as Vinyl and Nylon Insulated Versions</b></p> <p>Suit the Demands of Various Operations.</p>	<p><b>Single Crimp &amp; Double Crimp Options Available</b></p> <p>Added tensile strength and strain relief against wire pull-out.</p>	<p><b>Available in Sizes from 26AWG to 600 MCM</b></p> <p>Perfect for small and large gauge requirements.</p>
<p><b>Sold as Loose Piece Bulk and Tape on Reel</b></p> <p>Perfect for operations of all sizes.</p>	<p><b>Butted &amp; Brazed Seam Configurations Available</b></p> <p>Ensure maximum strength of wire terminations.</p>	<p><b>Offered in Standard, Flanged, &amp; Locking</b></p> <p>Suit the Demands of Various Operations.</p>

**Ordering Information** For complete product ordering information, please scan the QR Code or contact your TPC sales representative

**26-22 AWG Ring Terminals**

Stud Size	Non-Insulated	Vinyl	Vinyl w/ Support Sleeve	Nylon w/ Support Sleeve	Nylon	High Temp 650°F	High Temp 900°F	Heat Shrink
2	E2/J	-	-	EFND2/J	-	-	-	-
4	E3	-	-	-	-	-	-	-
6	EM3	-	-	EFND3A/J	-	-	-	-
8	E4A	-	-	-	-	-	-	-

**22-16 AWG Ring Terminals**

Stud Size	Non-Insulated	Vinyl	Vinyl w/ Support Sleeve	Nylon w/ Support Sleeve	Nylon	High Temp 650°F	High Temp 900°F	Heat Shrink
2	AS2	-	-	-	-	-	-	-
4	AS3	AFVLS3R2	AFVDS3	AFNDS3	-	-	-	-
6	AM3	AFVLM3R2	AFVDM3	AFNDM3	-	AM3NPT	AWSM3HT	AHS3/H
8	HA4	AFVL4R2	AFVD4	AFND4	-	A4NPT	AWS4HT	AHS4H
10	A5	AFVL5R2	AFVD5	AFND5	-	A5NPT/J	AWS5HT	AHS5
1/4"	A6	AFVL6R2	AFVD6	AFND6	-	-	AWS6HT	AHS6H
5/16"	A8/H	AFVL8R2	AFVD8	AFND8	-	-	-	AHS8/H
3/8"	A9	AFVL9R2	AFVD9	AFND9	-	-	-	AHS9H
1/2"	A13	-	-	-	-	-	-	-

## Hoff-Trex® Ring Terminals - Continued

## 16-14 AWG Ring Terminals

Stud Size	Non-Insulated	Vinyl	Vinyl w/ Support Sleeve	Nylon w/ Support Sleeve	Nylon	High Temp 650°F	High Temp 900°F	Heat Shrink
4	B3	BFVL3R2	BFVD3	BFND3	-	-	-	-
6	BM3	BFVLM3R2	BFVDM3	BFNDM3	-	BM3NPT	BWSM3HT	BHS3
8	B4	BFVL4R2	BFVD4	BFND4	-	BM4NPT	BWS4HT	BHS4
10	B5	BFVL5R2	BFVD5	BFND5	-	BM5NPT/J	BWS5HT	BHS5
1/4"	B6	BFVL6R2	BFVD6	BFND6	-	-	BWS6HT	BHS6
5/16"	B8	BFVL8R2	BFVD8	BFND8	-	-	-	BHS8
3/8"	B9	BFVL9R2	BFVD9	BFND9	-	-	-	BHS9
1/2"	B13	BFVL13R2	BFVD13	BFND13	-	-	-	-

## 12-10 AWG Ring Terminals

Stud Size	Non-Insulated	Vinyl	Vinyl w/ Support Sleeve	Nylon w/ Support Sleeve	Nylon	High Temp 650°F	High Temp 900°F	Heat Shrink
6	DS3	DFVL3R2	DFVDS3	DFNDS3/H	-	-	-	-
8	D4	DFVL4R2	DFVD4	DFND4	-	D4NPT	DWS4HT	DHS4
10	D5	DFVL5R2	DFVD5	DFND5	-	D5NPT/H	DWS5HT	DHS5/H
1/4"	D6	DFVL6R2	DFVD6	DFND6	-	D6NPT/H	DWS6HT	DHS6/H
5/16"	D8	DFVL8R2	DFVD8	DFND8	-	-	-	DHS8H
3/8"	D9	DFVL9R2	DFVD9	DFND9	-	-	-	DHS9H
1/2"	D13	DFVL13R2	DFVD13	DFND13	-	-	-	-
9/16"	D14	-	-	-	-	-	-	-

## 8 AWG Ring Terminals

Stud Size	Non-Insulated	Vinyl	Vinyl w/ Support Sleeve	Nylon w/ Support Sleeve	Nylon	High Temp 650°F	High Temp 900°F	Heat Shrink
8	8S4R1	-	-	-	FN8S4	-	-	-
10	8S5R1	-	-	-	FN8S5	-	-	-
1/4"	8S6R1	-	-	-	FN8S6	-	-	-
5/16"	88R1	-	-	-	FN88	-	-	-
3/8"	89R1	-	-	-	FN89	-	-	-
1/2"	813R1	-	-	-	FN813	-	-	-

## 6 AWG Ring Terminals

Stud Size	Non-Insulated	Vinyl	Vinyl w/ Support Sleeve	Nylon w/ Support Sleeve	Nylon	High Temp 650°F	High Temp 900°F	Heat Shrink
10	65R1	-	-	-	FN65	-	-	-
1/4"	66R1	-	-	-	FN66	-	-	-
5/16"	68R1	-	-	-	FN68	-	-	-
3/8"	69R1	-	-	-	FN69	-	-	-
1/2"	613R1	-	-	-	FN613	-	-	-

## Terminals

## Hoff-Trex® Ring Terminals - Continued

## 4 AWG Ring Terminals

Stud Size	Non-Insulated	Vinyl	Vinyl w/ Support Sleeve	Nylon w/ Support Sleeve	Nylon	High Temp 650°F	High Temp 900°F	Heat Shrink
10	4S5R1	-	-	-	FN4S5/H	-	-	-
1/4"	46R1	-	-	-	FN46	-	-	-
5/16"	48R1	-	-	-	FN48	-	-	-
3/8"	FS9R1	-	-	-	FN49	-	-	-
1/2"	F13R1	-	-	-	FN413	-	-	-

## 2 AWG Ring Terminals

Stud Size	Non-Insulated	Vinyl	Vinyl w/ Support Sleeve	Nylon w/ Support Sleeve	Nylon	High Temp 650°F	High Temp 900°F	Heat Shrink
10	2S5R1	-	-	-	FN2S5	-	-	-
1/4"	2S6R1	-	-	-	FN2S6	-	-	-
5/16"	2S8R1	-	-	-	FN2S8	-	-	-
3/8"	29R1	-	-	-	FN29	-	-	-
7/16"	211R1	-	-	-	-	-	-	-
1/2"	213R1	-	-	-	FN213	-	-	-

## Large Non-Insulated Ring Terminals

Stud Size	Wire Size (AWG)				250/300 MCM	300/350 MCM	400/5600 MCM	500/600 MCM
	1/0 AWG	2/0 AWG	3/0 AWG	4/0 AWG				
1/4"	1/06R1	2/06R1	3/06R1	4/06R1	-	-	-	-
5/16"	1/08R1	2/08R1	3/08R1	4/08R1	1508R1	2008R1	-	-
3/8"	1/09R1	2/09R1	3/09LR1	4/09R1	1509R1	2009R1	2509R1	3009R1
7/16"	1/011R1	2/011R1	3/011R1	-	15011R1	-	-	-
1/2"	1/013R1	2/013R1	3/013R1	4/013R1	15013R1	20013R1	25013R1	30013R1
5/8"	1/016R1	2/016R1	3/016R1	4/016R1	1506R1	20016R1	25016R1	30016R1
3/4"	-	-	-	4/019R1	-	20019R1	-	-





# Hoff-Trex® Ring Terminals - Continued

## Soldering Type Heat Shrinkable Ring Terminals

RU	CSA	Part No.	Gauge	Color	Description
	*	HELA120-02	22-24 AWG	CLEAR	#2 Stud
	*	HELA120-04	22-24 AWG	CLEAR	#4 Stud
	*	HELA120-06	22-24 AWG	CLEAR	#6 Stud
*	*	HELA116-06	18-20 AWG	RED	#6 Stud
*	*	HELA116-08	18-20 AWG	RED	#8 Stud
*	*	HELA116-10	18-20 AWG	RED	#10 Stud
*	*	HELA116-14	18-20 AWG	RED	1/4" Stud
	*	HELA116-516	18-20 AWG	RED	5/16" Stud
	*	HELA116-38	18-20 AWG	RED	3/8" Stud
	*	HELA114-06	14-16 AWG	BLUE	#6 Stud
*	*	HELA114-08	14-16 AWG	BLUE	#8 Stud
*	*	HELLA114-10	14-16 AWG	BLUE	#10 Stud
*	*	HELLA114-14	14-16 AWG	BLUE	1/4" Stud
	*	HELLA114-516	14-16 AWG	BLUE	5/16" Stud
*	*	HELLA114-38	14-16 AWG	BLUE	3/8" Stud
*	*	HELLA110-10	10-12 AWG	YELLOW	#10 Stud
*	*	HELLA110-14	10-12 AWG	YELLOW	1/4" Stud
	*	HELLA110-516	10-12 AWG	YELLOW	5/16" Stud
*	*	HELLA110-38	10-12 AWG	YELLOW	3/8" Stud
*	*	HLLA110-12	10-12 AWG	YELLOW	1/2" Stud



## Ring Terminals - Metal Strip Mounted

Wire Size (AWG)	Stud Size	Crimp Style	Part No.
22-16	5	SINGLE	2216M2ST
22-16	8	SINGLE	20144ST
22-16	5	DOUBLE	2216S2ST
22-16	6	DOUBLE	22163ST
22-16	6	DOUBLE	22162ST
22-16	6	DOUBLE	2016M3ST
22-16	8	DOUBLE	2216M4ST
22-16	8	DOUBLE	22164ST
22-16	10	DOUBLE	2216M5ST
22-16	10	DOUBLE	H22165ST
22-16	5/16"	DOUBLE	22168ST
22-16	3/8"	DOUBLE	2216S9ST

## Ring Terminals - Metal Strip Mounted

Wire Size (AWG)	Stud Size	Crimp Style	Part No.
22-16	8	DOUBLE	2216M4SST
20-16	6	DOUBLE	2016M3SST
20-16	6	DOUBLE	20163SST
20-16	8	DOUBLE	20164SST
20-16	10	DOUBLE	20165SST
20-16	1/4"	DOUBLE	20166SST

